

The Access lock (or Door lock) is an interlock suitable for use on access points (trap doors, doors, gates, containers...) but also on transformer's plug-in connectors. The interlock is manufactured in brass and aluminium, making it ideal for application in the energy sector.

Different types of striker plates are available depending on your equipment or on-site constraints. Striker are reversible and plates can be inserted into the front (like the picture shown on the left) or the back of the lock depending your installation.

The Access lock is available in two options: exchange key and multi key.



Trapped Key Interlocks



ENERGY

## USAGE

The Access Lock should be used to allow safe access to potential hazardous and dangerous areas.

The Access Lock should be used with

- 1 key : part body access doors where the use of personal safety keys is not essential. Or with
- 2 keys (consignment key) on full body access doors where the use of personal safety keys is essential (to prevent accidental lock in).



The Access Lock is not designed for general security purposes, such as a safe or external access to a building.

## INSTALLATION



A safety lock must be mounted with appropriate fasteners.

Important:

To avoid unauthorized removal, the lock must be mounted with rivet or M5 (screws, nuts and washers) stainless steel safety screws and secured with a threadlock.

Tightening torque: 5Nm

Plate drilling: 4 holes  $\varnothing 5,3$  + 1 hole  $\varnothing 25$

The interlock must be installed by a competent and qualified person who has read and understood these instructions.

## MAINTENANCE

Contact STI for maintenance instructions.

## TECHNICAL DATA

Temperature rating	-20°C / +100°C
Type of mounting	Surface or over back mount using with suitable fasteners
Weight	Contact STI for details
Material	- Metal: Black anodised - Nickel brass - Zamak - Composite: Black anodised - GRIVORY (65% FV) - Nickel brass - Zamak
Product finish	Black anodised
Homologation	Vibration tests IEC 60068-2-6
Salt spray resistance	240h BS
IP Rating	Switch: IP67
Mechanical life	Contact STI for details
B10d	Contact STI for details
Diagnostic coverage (%)	Contact STI for details
Retention force	Latch stretch resistance: 2,2KN
Shock & vibration (IK)	Transport and functional random vibration
ROHS	Certificate available on request
REACH	Certificate available on request
Conflict mineral	Certificate available on request

## OPTIONS

- Flat or Star key
- Up to 3 key entries
- Function
- Switch
- Type of rotor (aluminium or composite)
- Stricker plate (Bent, 90° bent, straight)

## APPLICATION

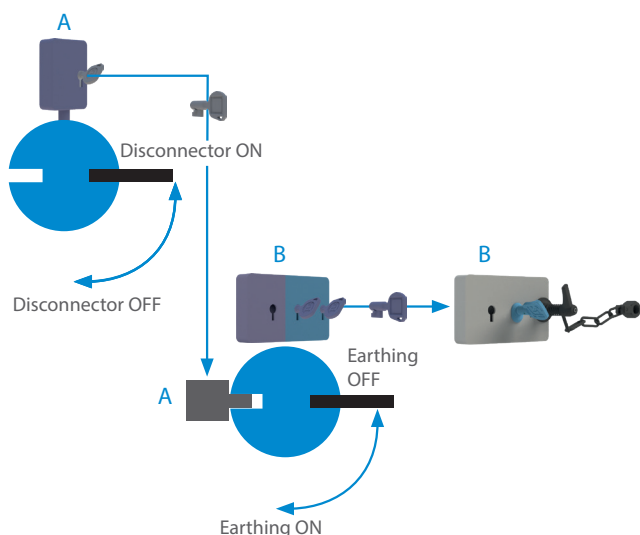
Whilst the disconnecter is ON the A key cannot be removed. Switching the disconnecter to the OFF position will allow the A key to be removed from the Access Lock.

This A key can then be inserted into the Access Lock which will retract the bolt and allow the earthing to be switched ON. And the key A remains trapped.

This will in turn allow the key B to be removed extending the bolt and locking the earthing in to the on position.

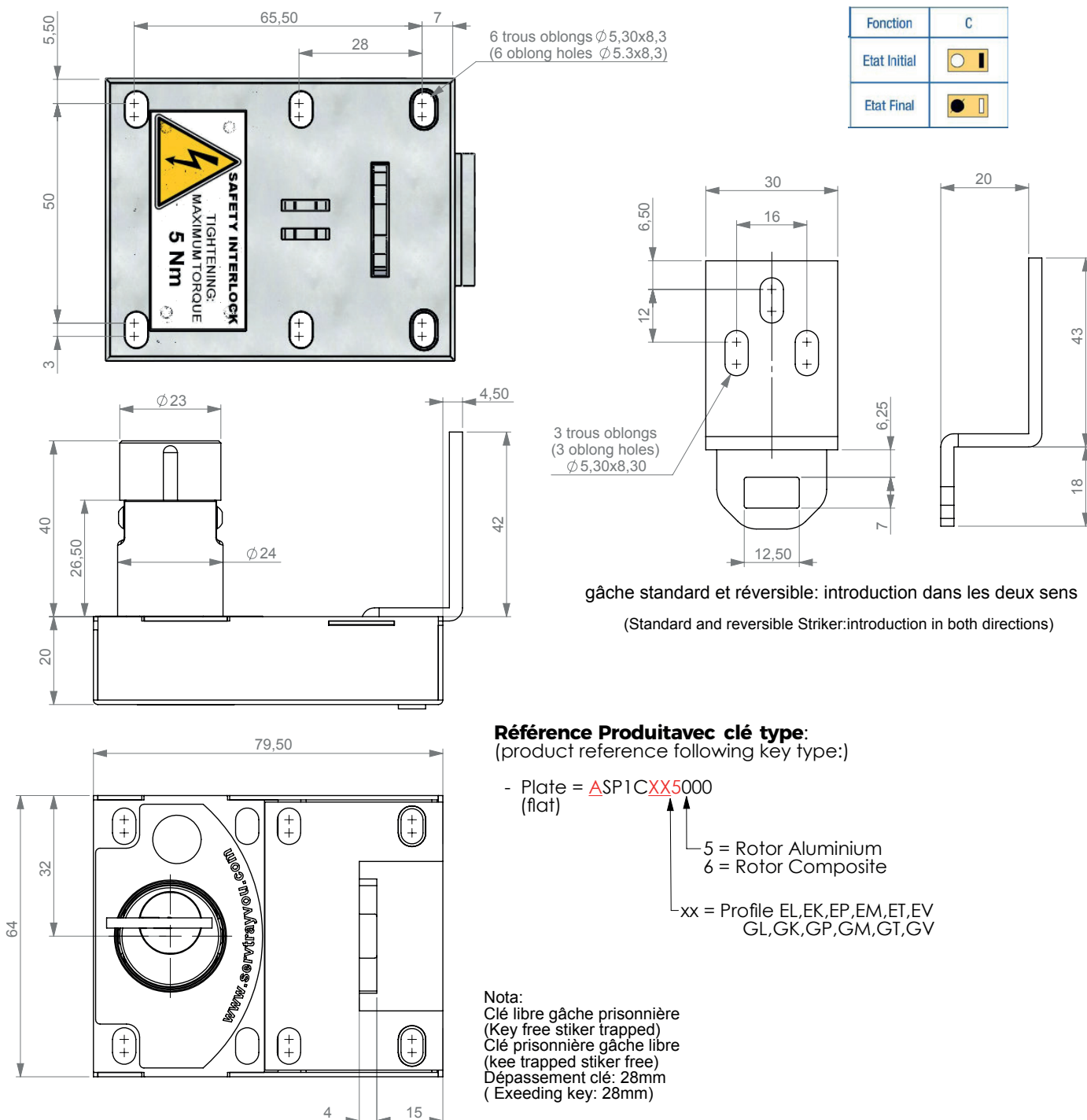
The B key can now be used to gain access through AIE. The consignment key will be released to ensure that the operation cannot be reversed whilst personnel are in the dangerous area transformer housing.

The symbols used here are A for the disconnecter and earthing and B for the earthing and the access lock.



Note: For safe mounting, use security screws

## Access ASP/HSP

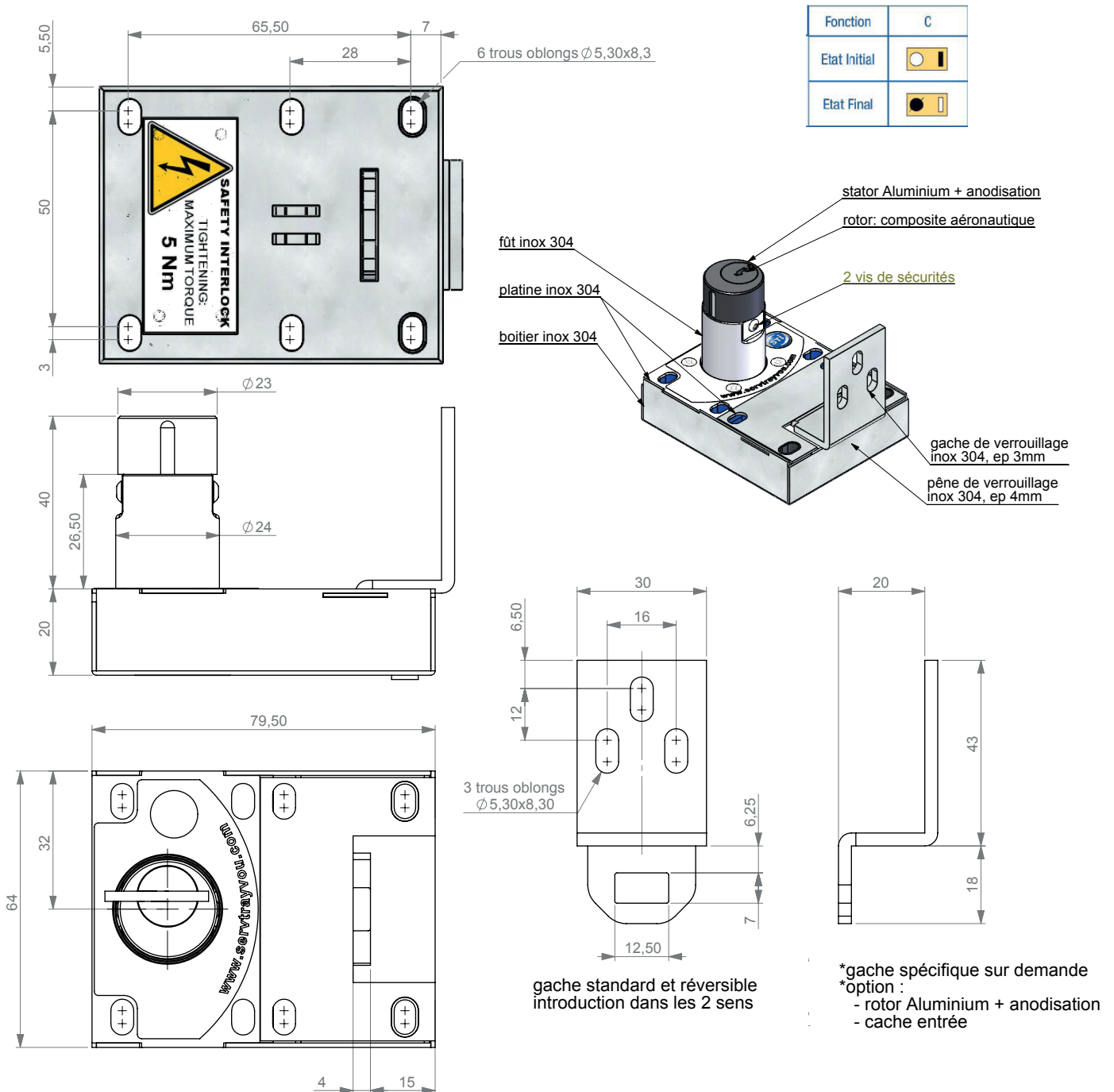


## DRAWING

Dimensions: in mm

Note: For safe mounting, use security screws

### Access ASP/HSP



## ORDER INFORMATION

	1	2	3	4	5	6	7
Part number							
Example	A	SP	1	C	PS	5	000

1	Cylinder profile	A = Flat key H = Star key
2	Product family	SP = Doorlock PC = Doorlock with switch
3	No. of cylinders	1 2 3
4	Function	C F H J
5	Key profile	Star key = PS Flat key 5 pins = EK, EL, EM, EP, ET, EV Flat key 6 pins = GK, GL, GM, GP, GT, GV
6	Type of rotor	5 = Aluminium 6 = Composite 7 = Short
7	Particularity	000 = With standard striker plate 045 = 90° bent striker plate 066 = straight striker plate

## ACCESSORIES

- Flip cap

Ref: D23556

## CONTACT INFORMATION

### Serv Trayvou

1 ter rue du Marais  
93100 MONTREUIL  
France

t : +33 (0)1 48 18 15 15

f : +33 (0)1 48 59 68 50

e : [sales@servtrayvou.com](mailto:sales@servtrayvou.com)