



The Access lock (or Door lock) is a key access interlock suitable for use on access point (trap door, doors, gates ...) but also on transformer's plug in connectors. The interlock has manufactured in in aluminium or composite, making it ideal for use in energy line of business.

Different types of striker plates are available depending on the equipment. Striker plates can be inserted into the lock cylinder-side or on the side opposite the cylinder

The Access lock is available in two options: exchange key and multi key.



Trapped Key Interlocks



ENERGY

USAGE

The Access ELP should be used to allow safe access to potential hazardous and dangerous areas.

The Access ELP should be used with one key on part body access doors where the use of personal safety keys is not essential or with 2 keys (consignment key) on full body access doors where the use of personal safety keys is essential (to prevent accidental lock in).



The Access ELP is not designed for security purposes, such as a safe or external access to a building.

INSTALLATION



A safety lock must be mounted with appropriate fasteners.

Important:

To avoid unauthorized removal, the lock must be mounted with rivet or M5 (screws, nuts and washers) stainless steel safety screws and secured with a threadlock.

Tightening torque: 5Nm

The interlock must be installed by a competent and qualified person who has read and understood these instructions.

MAINTENANCE

Contact STI for maintenance instructions.

TECHNICAL DATA

Temperature rating	Contact STI for details
Type of mounting	Surface or over back mount using with suitable fasteners
Weight	440 gr
Material	Nickel brass - Stainless steel 303 & 304
Product finish	None
Homologation	Contact STI for details
Salt spray resistance	Contact STI for details
IP Rating	Contact STI for details
Mechanical life	Contact STI for details
B10d	Contact STI for details
Diagnostic coverage (%)	Contact STI for details
Retention force	Contact STI for details
Shock & vibration (IK)	Transport and functional random vibration
ROHS	Certificate available on request
REACH	Certificate available on request
Conflict mineral	Certificate available on request

OPTIONS

- Flat or Star key
- Up to 1 key entrie
- Stricker plate (Bent, 90° bent, straight)

APPLICATION

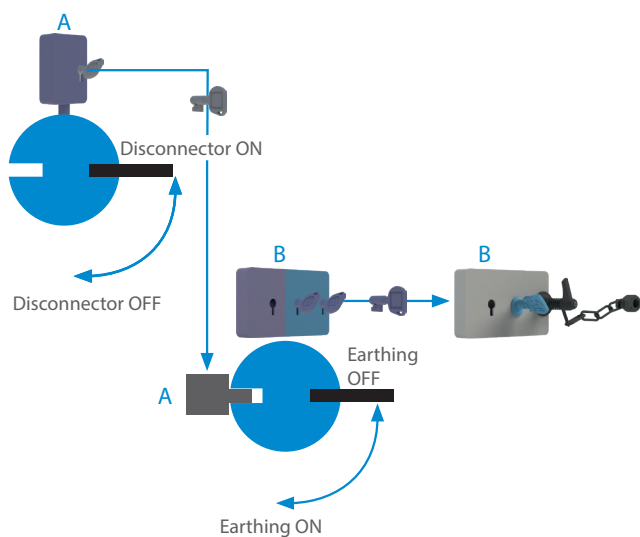
Whilst the disconnecter is on the A key cannot be removed. Switching the disconnecter to the off position will allow the A key to be removed from the K Lock.

This A key can then be inserted into the K Lock which will retract the bolt and allow the earthing to be switched on.

This will in turn allow the key B to be removed extending the bolt and locking the earthing in to the on position.

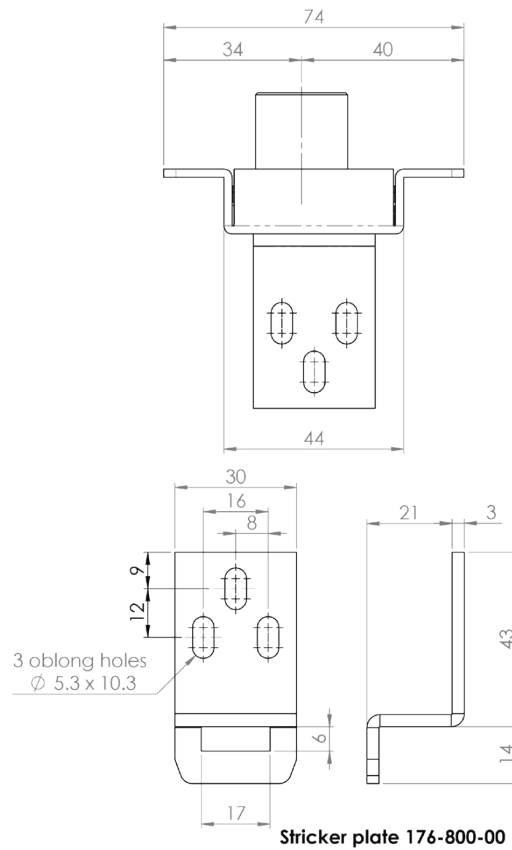
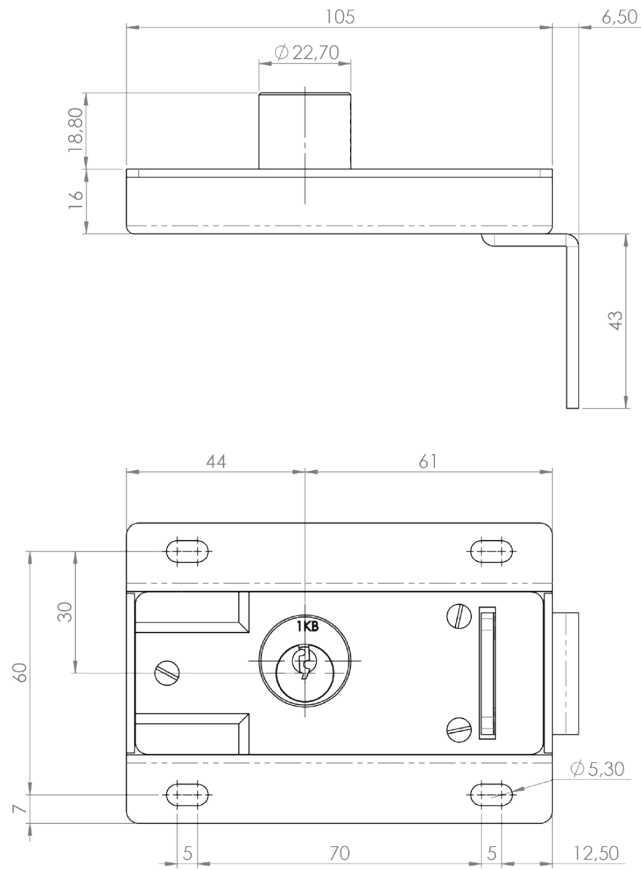
The B key can now be used to gain access through AIE. A personnel key will be released to ensure that the operation cannot be reversed whilst personnel are in the transformer housing.



The symbols used here are A for the disconnecter and earthing and B for the earthing and the access lock.



Note: For safe mounting, use security screws

Access ELP



Function	c
Initial Position	
Final Position	

ELP1 + STRICKER PLATE 176-800-00



ORDER INFORMATION

Part number

Example

1	Product family	ELP
2	No. of cylinders	1 2

ACCESSORIES

- Flip cap

CONTACT INFORMATION

Serv Trayvou

1 ter rue du Marais
93100 MONTREUIL
France

t : +33 (0)1 48 18 15 15

f : +33 (0)1 48 59 68 50

e : sales@servtrayvou.com