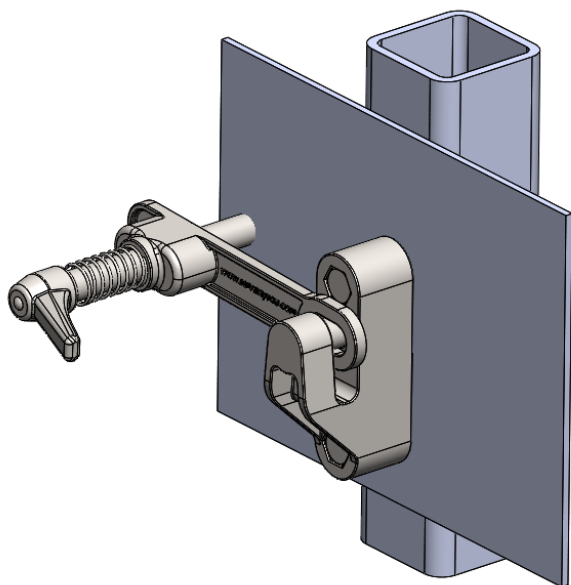


Latch holder kit



With a high breaking torque and safety screws, this two-point fixing kit makes the latches of your safety locks unmountable. Recommended by International control & standard laboratories, and directly complying with the machine directive 2006/42/CE; it will allow you to increase your safety performance level.

Designed in stainless steel for the most aggressive environments, it is compatible with many type of locks including NX, MS, SOL and XSOL models.

REF : 201561



INDUSTRY

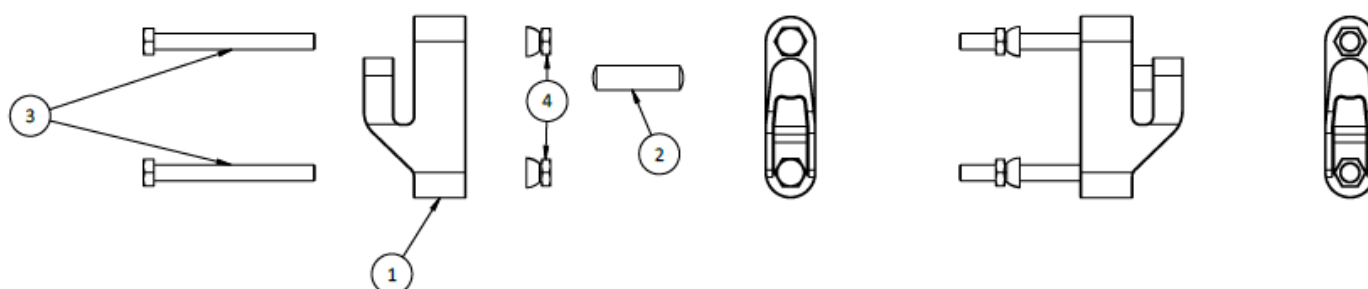
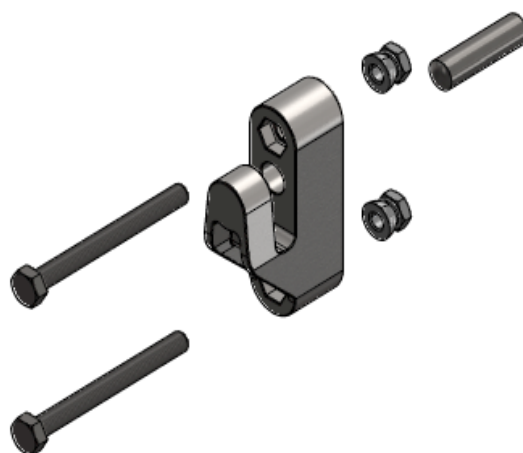


Railway



ENERGY

KIT CONTENT

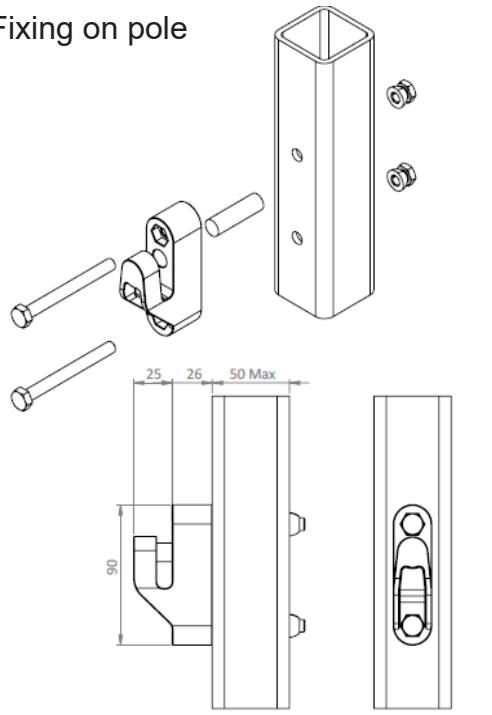


Latch holder kit

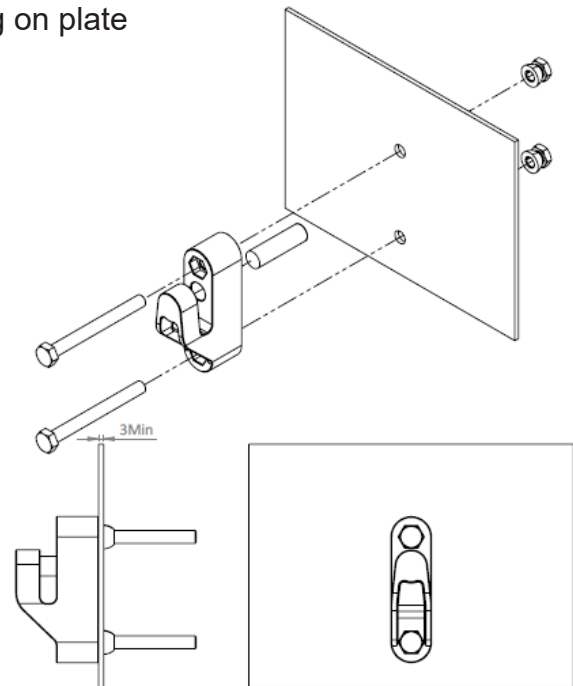


INSTALLATION

Fixing on pole



Fixing on plate



Nota: Couple de rupture des écrous 13-25 N/m
 Nut Breaking Torque 13-25 N/m
 Fixation sur Tole 3mm épaisseur 3mm minimum
 Fixing on plate Thickness 3mm minimum
 Fixation sur Poteau épaisseur 50mm maximum
 Fixing on Pole Thickness 50mm maximum

TECHNICAL DATA

Description	Matériau	Amount	Item n°
Latch holder	AISI 304	1	1
Cylindrical Pin 12x45	Saintless steel A2	1	2
Stainless steel screw H M8x80	Saintless steel A2	2	3
Inviolable M8 bolt	Saintless steel A2	2	4