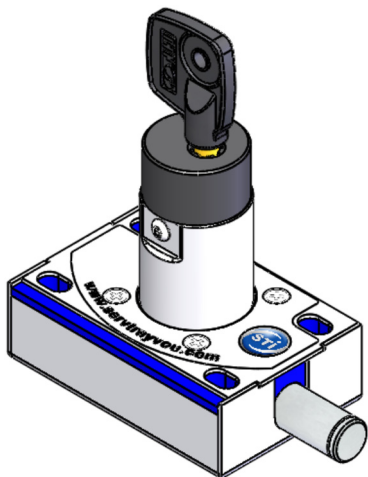


Boltlock AVE/HVE



The boltlock is a key operated mechanical bolt interlock that is suitable for the control of switches, earthing switches... The boltlock is used to control the rotation or movement of operating handles or toggles of electrical switches, circuit breakers...

The lock is manufactured in aluminium or composite steel making it ideal for use in energy line of business.




Trapped Key Interlocks



ENERGY

USAGE

Bolt interlock is used as a part of a safety system.

 This lock is not designed for security purposes, such as a safe or external access to a building or for access gates or doors.

No hazardous substances were used in the manufacture of this product. The product can be disposed of in standard waste.

INSTALLATION

 A safety lock must be mounted with appropriate fasteners.

Important:

To avoid unauthorized removal, the lock must be mounted with rivet or M5 (screws, nuts and washers) stainless steel safety screws and secured with a threadlock.

Tightening torque: 5Nm

Plate drilling: 4 holes $\varnothing 5,3$ + 1 hole $\varnothing 25$

The interlock must be installed by a competent and qualified person who has read and understood these instructions.

MAINTENANCE

Contact STI for maintenance instructions.

TECHNICAL DATA

Temperature rating	-20°C / +100°C
Type of mounting	Surface or over back mount using with suitable fasteners
Weight	220 gr
Material	- Metal: Black anodised - Nickel brass - Zamak - Composite: Black anodised - GRIVORY (65% FV) - Nickel brass - Zamak
Product finish	Black anodised
Homologation	- Vibration tests IEC 60068-2-6 - Low-voltage directive 2006-95-CE
Salt spray resistance	240h BS
IP Rating	Switch: IP67
Mechanical life	Contact STI for details
B10d	Contact STI for details
Diagnostic coverage (%)	Contact STI for details
Retention force	Bolt shear strength: 6KN
Shock & vibration (IK)	Transport and functional random vibration
ROHS	Certificate available on request
REACH	Certificate available on request
Conflict mineral	Certificate available on request

OPTIONS

- Flat or Star key
- Up to 3 key entries
- Function
- Type of rotor (aluminium or composite)
- Switch

APPLICATION

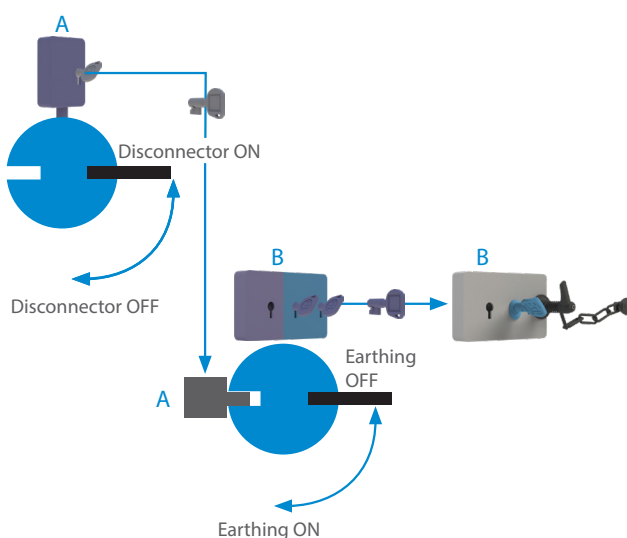
Whilst the disconnecter is on the A key cannot be removed. Switching the disconnecter to the off position will allow the A key to be removed from the K Lock.

This A key can then be inserted into the K Lock which will retract the bolt and allow the earthing to be switched on.

This will in turn allow the key B to be removed extending the bolt and locking the earthing in to the on position.

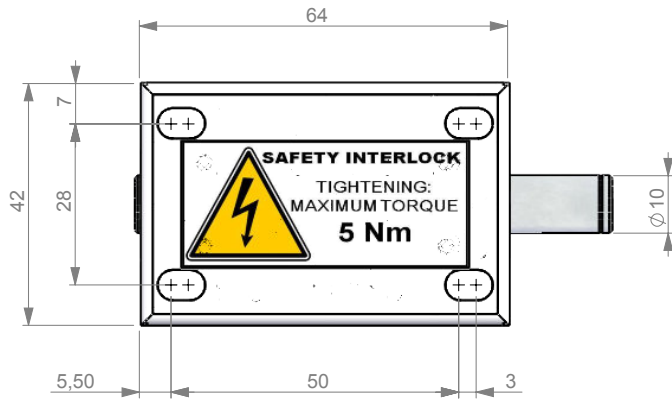
The B key can now be used to gain access through AIE. A personnel key will be released to ensure that the operation cannot be reversed whilst personnel are in the transformer housing.

The symbols used here are A for the disconnecter and earthing and B for the earthing and the access lock.

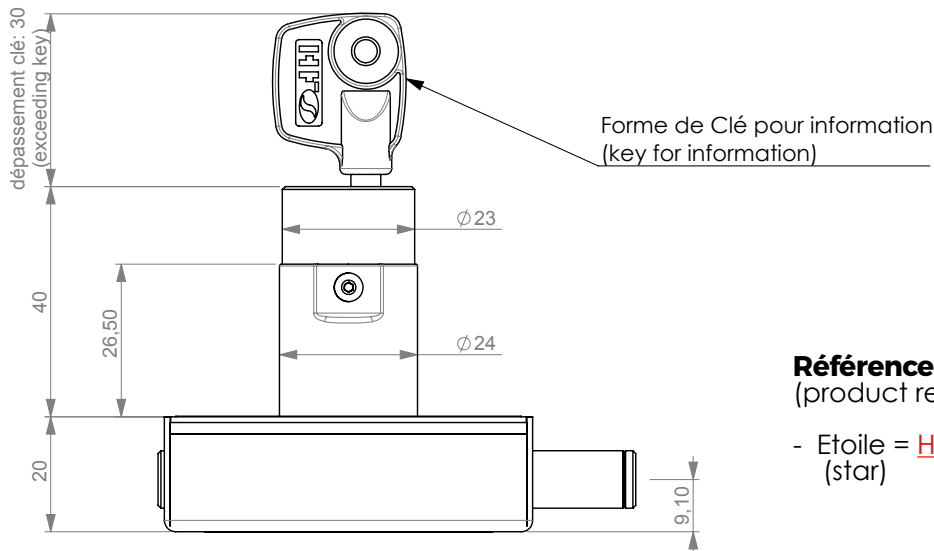


Note: For safe mounting, use security screws

Boltlock AVE/HVE



Fonction	C	D
Etat Initial		
Etat Final		

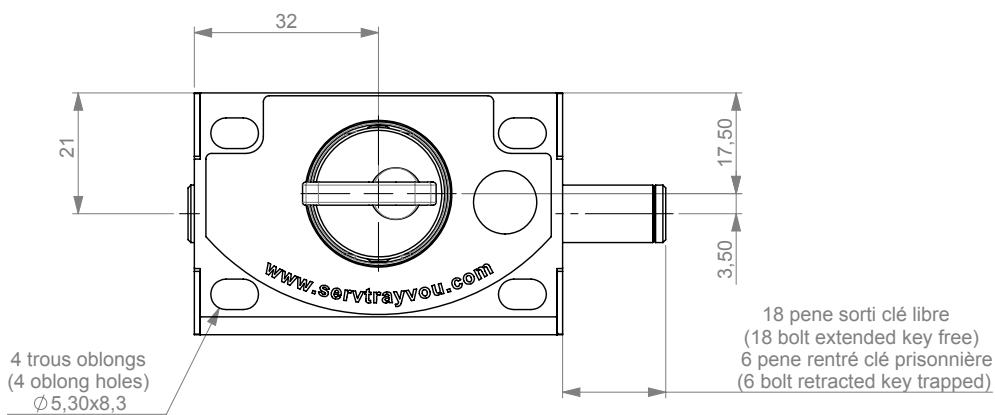


Référence Produit avec clé type:
(product reference following key type:)

- Etoile = HVE11XPS5000
(star)

5 = Rotor Aluminium
6 = Rotor Composite

X = Fonction C ou D



ORDER INFORMATION

	1	2	3	4	5	6	7
Part number							
Example	A	VE	1	1	EL	5	000

1	Cylinder profile	A = Flat key H = Star key
2	Product family	VE = Standard lock VC = Lock with switch
3	No. of cylinders	1 2 3
4	No. of bolts	1 2
5	Key profile	Star key = PS Flat key 5 pins = EK, EL, EM, EP, ET, EV Flat key 6 pins = GK, GL, GM, GP, GT, GV
6	Type of rotor	5 = Aluminium 6 = Composite 7 = Short
7	Particularity	000 = Standard xxx = Customize

ACCESSORIES

- Flip cap

CONTACT INFORMATION

Serv Trayvou

1 ter rue du Marais
93100 MONTREUIL
France

t : +33 (0)1 48 18 15 15
f : +33 (0)1 48 59 68 50
e : sales@servtrayvou.com