

# Star key (Profalux type)



Part of the  
Sentric Group



A range of keys available to suit various applications. This key pattern is proprietary to STI, non-reproducible and with millions of combinations available.

This star model was formerly called PROFALUX. It is the most secure key model we offer in our energy range.

There are over 2,000,000 possible combinations.

The combinations are directly assigned by STI and are kept in a database for security and traceability.

The metal head version (PSTI5N) is more robust, waterproof and has a nickel-plated finish (against corrosion).



Trapped Key  
Interlocks



ENERGY

## USAGE

- o Available in nylon or metal head versions
- o Customisable coding
  - Laser marking right on the stainless steel key
  - 1 row with lock code/key
  - Marker in addition to the key code (if requested by the customer)
  - 1 row (possibility of 2 rows but smaller engraving)
  - 8 characters maximum
  - Any alpha- (A-Z) and digital (0-9) configuration
- o 2,000,000 available codes
- o Master and spare keys available (for safety reasons, a release letter will be requested for all spare key orders)
- o New key codes (combinations) can only be assigned by STI
- o Master Key available - must be specified when starting a project
- o Locks using 2 different keys available - must be specified at the start of a project

## TECHNICAL DATA

<b>Weight</b>	10 gr nylon key / 20 gr metal key / 36 gr handle key
<b>Material</b>	Nylon key: TENAC 5010 black (head) / Brass (insert) Metal key: Zamak (head) / Brass (insert) Handle key: Polyamide PPA (handle) / Brass (insert)
<b>Product finishing</b>	Metal key head: Nickel
<b>Temperature rating</b>	-35°C / +120°C
<b>Salt spray tolerance</b>	240h
<b>Torsional strength</b>	No breaking at 5Nm in trapped key position
<b>ROHS</b>	Certificate available on our website, Resource Centre section
<b>REACH</b>	Certificate available on our website, Resource Centre section
<b>Conflict Minerals Declaration</b>	Certificate available on our website, Resource Centre section

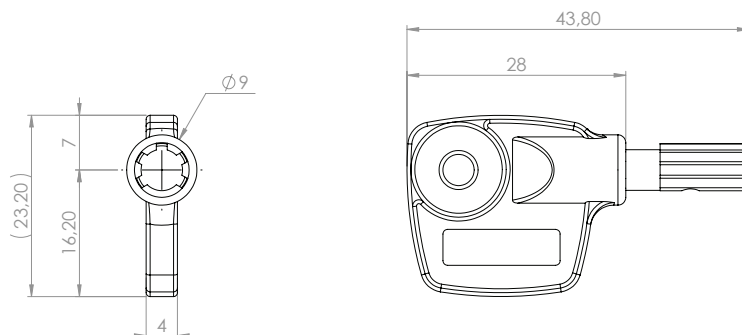
## OPTIONS

- Coloured stitch for key visual identification
- Key ring / Welded ring: SKMKH01AV001
- Plaque for key ring: contact us

## DRAWING

Dimensions: in mm

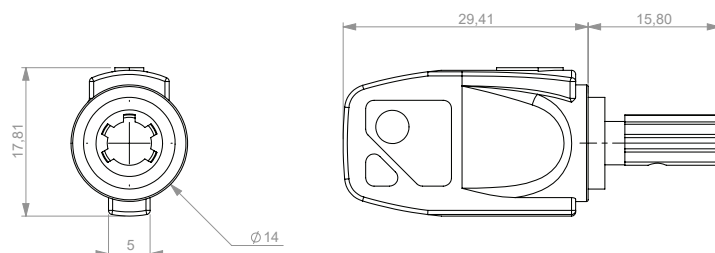
### Star key with nylon key head



## DRAWING

Dimensions: in mm

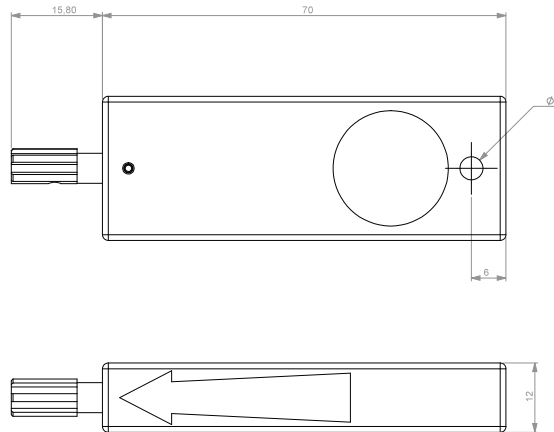
### Waterproof star key with nickel-plated key head



## DRAWING

Dimensions: in mm

### Star key with PPA handle



## REFERENCES

PCHF5	Star key - nylon key head
PST15N	Waterproof star key - nickel-plated key head
PST15+/SERV	Star key - PPA key handle (special)

## DISCHARGE

### IMPORTANT:

We must draw your attention to the potential danger of issuing spare keys, master keys or masker keys.



Trapped key interlocks control safety procedures in a strict sequence. If this sequence is altered by the use of spare keys or Masker Keys, the integrity of your security system can be compromised, resulting in serious injury or death, or damage to processes and plant.

In inappropriate hands, spare keys or Masker Keys could expose one or more people to danger, even with a locking system that is supposed to protect them.

## CONTACTS

### Serv Trayvou

1 ter rue du Marais, 93100 MONTREUIL, France  
t: +33 (0)1 48 18 15 15 | f: +33 (0)1 48 59 68 50 | e: sales@servtrayvou.com